

High Capacity
Low Operating Temperature



TYPICAL APPLICATIONS

- Unmanned Vehicles (UGV's, UAV's)
- Rugged, Portable Electronics

STANDARDS COMPLIANCE

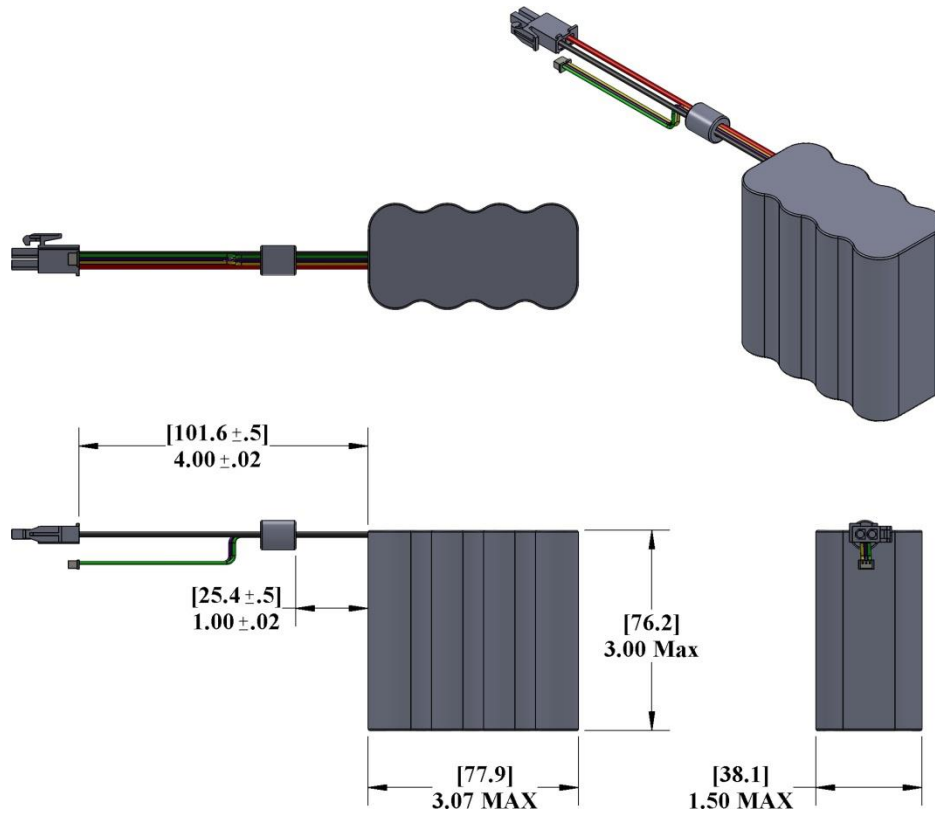
- SMBus v 1.1 smart battery technology compliant
- SBD v 1.1 smart battery dataset compliant
- MIL-STD-810G compliant
- MIL-STD-461F (EMI) compliant
- UN/DOT Transportation 38.3 T1-T8 compliant
- Manufactured under ISO 9001:2008 certified quality system

KEY FEATURES

- High Capacity
- Low operating temperature -30°C (-22°F)
- 67% performance available at -30°C (-22°F)

BATTERY SPECIFICATIONS

Model No: PB-FL-01
Voltage Range: 10.0V min.; 14.4V nom.; 16.8V max.
Nominal Capacity: 5.8Ah @ 500mA @ 23°C (74°F)
Discharge: 6.6A continuous @ 23°C (74°F)
Maximum Pulse Discharge: 12A for 30 seconds @ 23°C (74°F)
Energy: 83 Wh
Energy Density: 210 Wh/kg
Weight: 409 grams (0.91 lbs.) max.
Cycle Life: > 300 cycles @ C/5 to 80% of initial capacity @ 100% depth of discharge
Operating Temp: -30°C to +70°C (-22°F to +158°F)
Storage Temp: -20°C to +50°C (-4°F to +122°F)
Self-Discharge: < 3% per month
Housing: Shrink Wrap
Connector: Power – TYCO 172165-1 SMBus – HIROSE DF 13-3S-1.25C
Communication: SMBus v1.1 communication protocol SBD v1.0 data set support
Safety: See Safety Data Sheet – SDS063
Transportation: See Safety Data Sheet – SDS063
Export Classification: EAR99
Harmonized Tariff Code: 8507.60.0020
Charging: Charge at constant voltage of 16.8 Volts maximum in a temperature range of 0°C to +45°C (+32°F to +113°F), limiting current to 3.0A max, at 23°C, until current declines to 100mA.
Charging Method: The battery should be charged using a constant current/constant voltage (CC/CV) charging method.



PATCO Electronics | division of Creating Technology Solutions, LLC
 5250 140th Avenue North | Clearwater | Florida | 33760

Tel 727-914-3001 | Fax 727-914-3342 | www.patcoelectronics.com | PATCO CAGE Code: 03UN7

Minority Owned, Woman Owned, Small Business, WOSB/EDWOSB Certified

©2013-2017 Creating Technology Solutions | All information subject to change without notice | February 2017 | R-06

The information contained herein is for reference only and does not constitute a warranty of performance

ISO 9001:2008

