



### BATTERY SPECIFICATIONS

<b>Model No:</b> PB-LW-08
<b>Voltage Range:</b> 7.5V min.; 11.1V nom.; 12.6V max.
<b>Nominal Capacity:</b> 4.8 Ah @ 500mA @ 23°C (74°F)
<b>Maximum Discharge:</b> 3.0 A continuous @ 23°C (74°F)
<b>Maximum Pulse Discharge:</b> 5.0 A for 5 seconds @ 23°C (74°F)
<b>Energy:</b> 53 Wh
<b>Energy Density:</b> 129 Wh/kg, 165 Wh/l
<b>Weight:</b> 410 grams (0.91 lbs.) max.
<b>Cycle Life:</b> > 300 cycles @ C/5 to 80% of initial capacity @ 100% depth of discharge
<b>Operating Temp:</b> -20°C to +60°C (-4°F to +140°F)
<b>Storage Temp:</b> -20°C to +50°C (-4°F to +122°F)
<b>Self-Discharge:</b> < 3% per month @ 25°C (77°F)
<b>Housing:</b> Hard plastic, lusterless, black, UL 94 V-0, NORYL
<b>Connector:</b> LEMO HEN.1F.305.XLNP
<b>Mating Connector:</b> LEMO FGN.1F.305.YLC or LEMO FGN.1F.305.XLC
<b>Flat Contacts:</b> Copper alloy with gold plating over nickel plating
<b>Communication:</b> SMBus v1.1 communication protocol SBD v1.1 data set support
<b>State of Charge Indicator:</b> 5 segment LCD display
<b>Safety:</b> See Safety Data Sheet – SDS046
<b>Transportation:</b> See Safety Data Sheet – SDS046
<b>Export Classification:</b> EAR99
<b>Harmonized Tariff Schedule:</b> 8507.60.0020
<b>Charging:</b> Charge at constant voltage of 12.6 Volts in a temperature range of 0°C to +45°C (+32°F to +113°F), limiting current to 2.4 A max, at 23°C, until current declines to 200 mA.
<b>Charging Method:</b> The battery should be charged using a constant current/constant voltage (CC/CV) charging method.

### TYPICAL APPLICATIONS

- Military Training Systems
- Back-up Server Power
- Rugged, Portable Electronics

### STANDARDS COMPLIANCE

- SMBus v 1.1 smart battery technology compliant
- SBD v 1.1 smart battery dataset compliant
- MIL-STD-810G compliant
- MIL-STD-461F (EMI) compliant
- UN/DOT Transportation 38.3 T1-T8 compliant
- Manufactured under ISO 9001:2008 certified quality system

### KEY FEATURES

- Charging, discharging and SMBus capabilities available via the connector or flat contacts
- 5-segment State-of-Charge (SOC) display
- High energy density

### COMPATIBLE CHARGERS

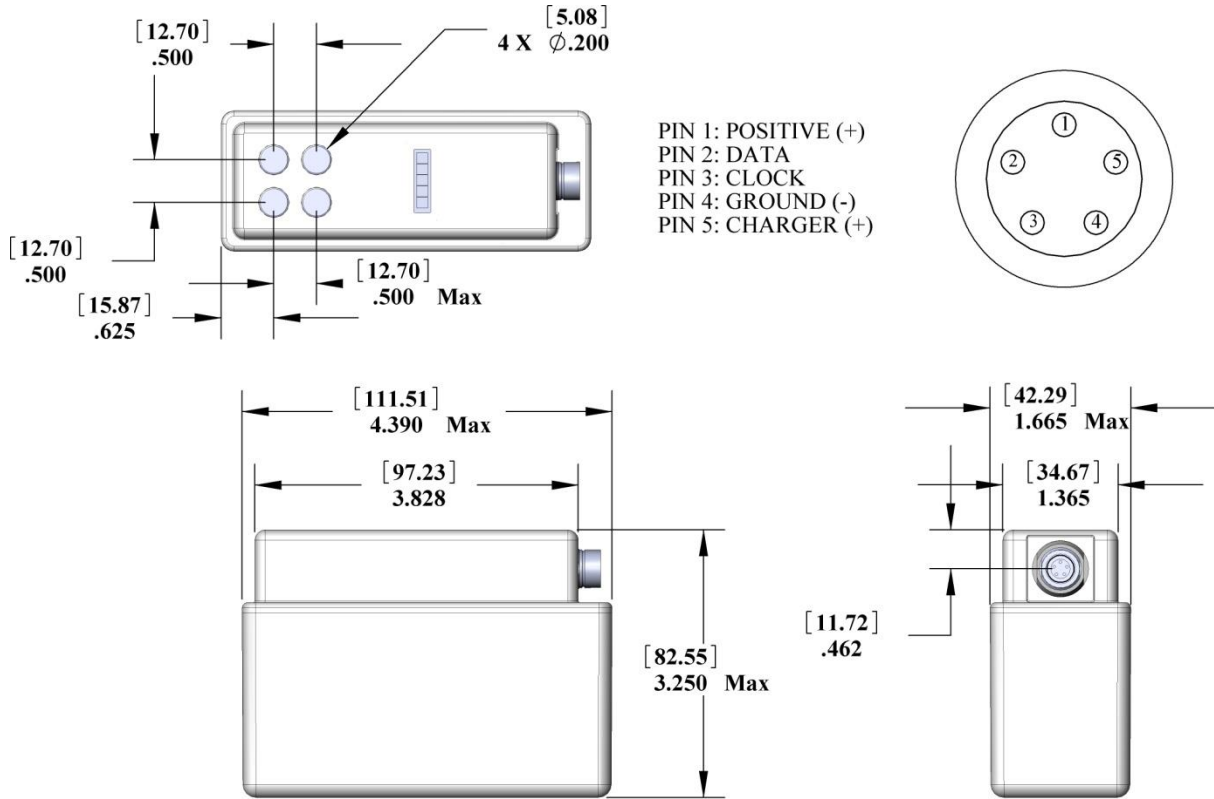
- **PC-6010-02** 1-bay tactical portable smart charger
- **PC-6805** 8-bay tactical portable smart charger
- **PC-3200M/C** 32-station bulk smart charger

### COMPATIBLE CABLES

- **PE-CC2-04** discharge cable

### COMPATIBLE BATTERY TESTER/ANALYZER

- **PE-BT-03**



Dimension in: inches [mm]

